



# CONDOR

*NEW S2 SPINDLES, HIGHER CAPACITY,  
LONGER LIFE AND STRONGER ALL ROUND.*

## FEATURES:

- S2 Spindle Assembly (NEW)
- Two Year Spindle Warranty
- High Capacity Belt Drive
- Hot Dip Galvanized Body
- Easy Cleaning Openings in Body
- Heavy Duty Wing Pivot Bearings
- SG Iron Housings on Roller Bearings
- Electro Hydraulic Lock on Wings
- Top Link Transport Lock

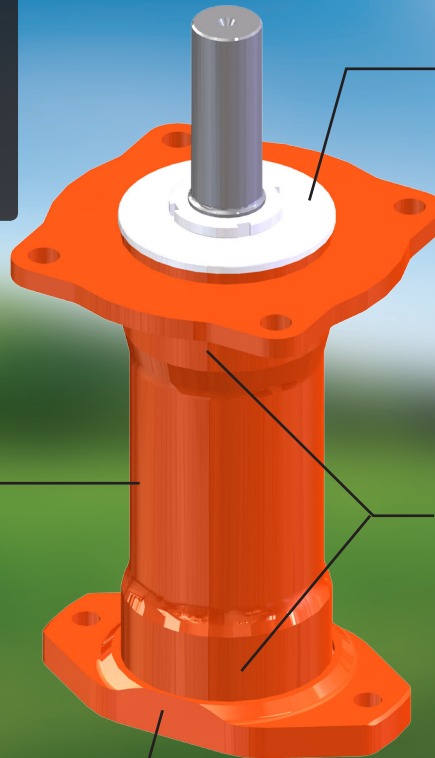


## CONDOR S2 SPINDLE ASSEMBLY

**Interchangeable / retro-fittable.  
Overall dimensions, mounting  
holes and blade beam fixings all  
same as the original spindle.**

WAISTED housing.  
Reduces weight and  
makes identification of  
S2 spindle easy.

THICKER FLANGE at centre  
to better resist bending.



Additional CAP over top  
bearing to keep water and  
debris away from seal lip.

HIGHER CAPACITY 6307  
bearings will more than  
DOUBLE the current bearing life.  
(NTN sealed bearings are the  
recognised best brand.)

## CONDOR SERIES ROLLER MOWER